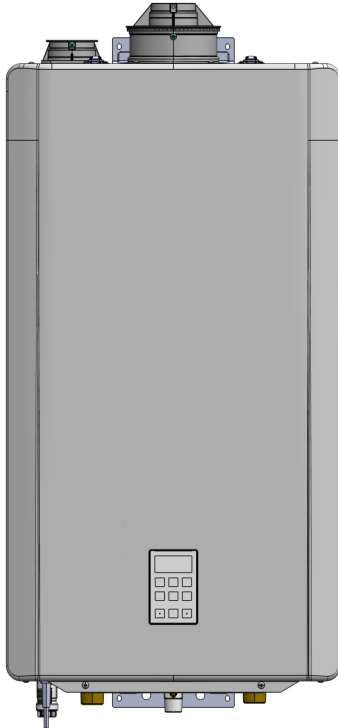




I-Series Plus Heat-Only (Solo) Boiler

Models: IP175S, IP199S



CERTIFIED TO ANSI Z21.13 — CSA 4.9

CONDENSING WALL-MOUNTED, GAS-FIRED HEAT-ONLY (SOLO) BOILER

Models	IP175S, IP199S,
Appliance	Wall-Mounted, Gas-Fired Solo Boiler
Installation	Indoor
Gas Types	Natural Gas (or Propane with field conversion)
Standard Features	<ul style="list-style-type: none"> • Outdoor Reset Control System with Sensor • Modulating Wire Mesh Burner • Stainless Steel Water Tube Condensing Heat Exchanger • Direct Vent Sealed Combustion • Approved for Room and Closet Installations
Included with Purchase	<ul style="list-style-type: none"> • Condensing Gas Boiler • Wall Mounting Bracket • CH Pressure Relief Valve (30 PSI) • Outdoor Temperature Sensor • Vent Top with Integrated 2 in. PVC or 3 in. x 5 in. Concentric Vent Adapter • Documentation: Installation and Operation Manual, User Manual
Optional Accessories	Primary-Secondary Heating Kit (PN: 807000213), Condensate Neutralizer (PN: 804000074), ScaleCutter (PN: 103000038), and ScaleCutter Refill Cartridge (PN: 103000039).
Venting Options	<ul style="list-style-type: none"> • Direct Vent (Concentric and Twin Pipe) • Room Air • Ubbink Flex Vent • Materials: Polypropylene, Stainless Steel, PVC, CPVC <p>Refer to the Boiler Installation and Operation Manual for approved venting.</p>

Maximum Equivalent Vent Lengths

Concentric, Twin Pipe, and Room Air:

Vent Sizes	<ul style="list-style-type: none"> • 2 in. PVC • 2 in. (60 mm) PP • 2 in. x 4 in. Concentric 	<ul style="list-style-type: none"> • 3 in. PVC • 3 in. (80 mm) PP • 3 in. x 5 in. Concentric
Vent Lengths	75 ft (23 m)	160 ft (49 m)

Flex:

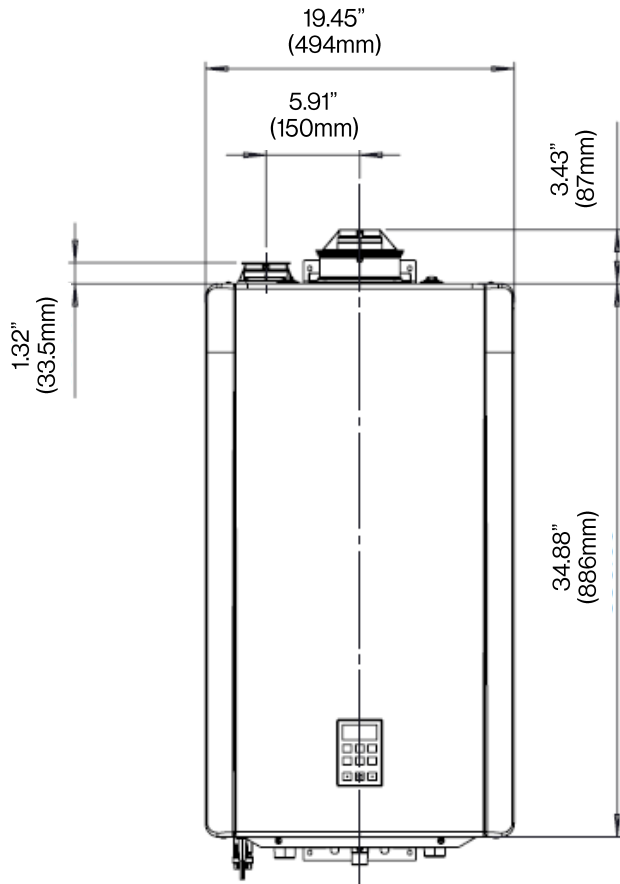
Vent Sizes	2 in. PP
Vent Lengths	50 ft (15 m)

For detailed venting information, refer to the Boiler Installation and Operation Manual.

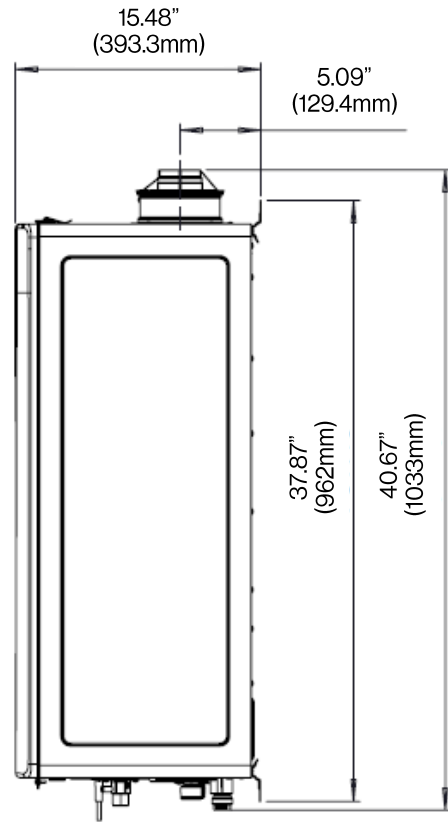
DIMENSIONS

Measurements: in. (mm)

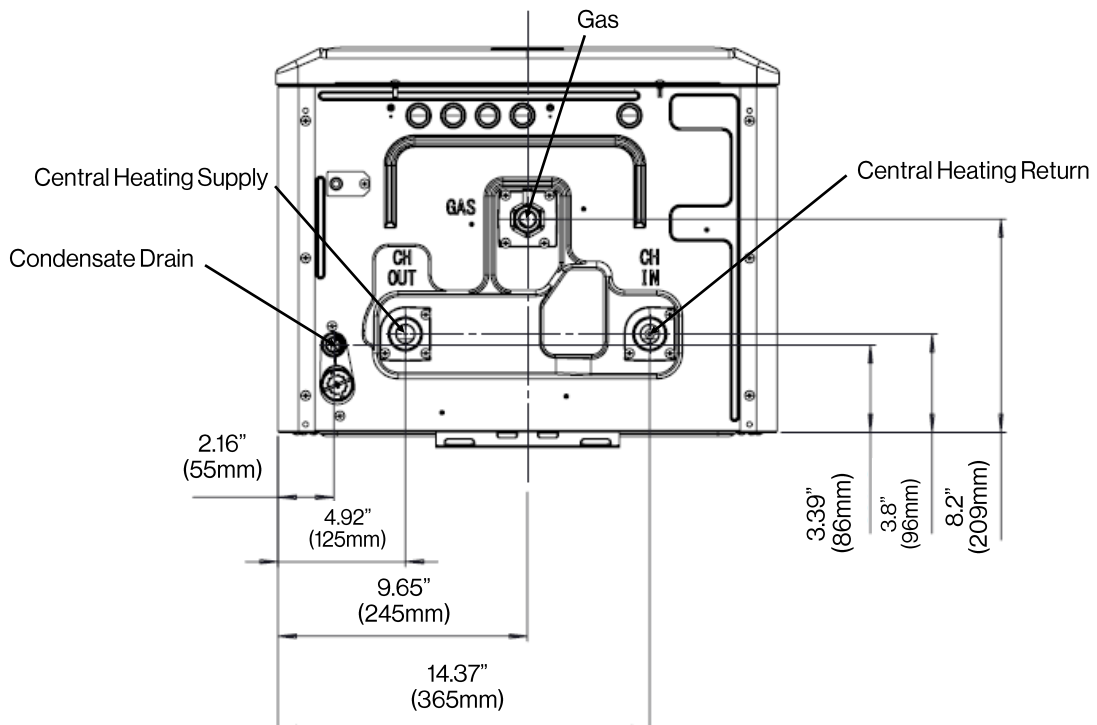
FRONT



SIDE



BOTTOM

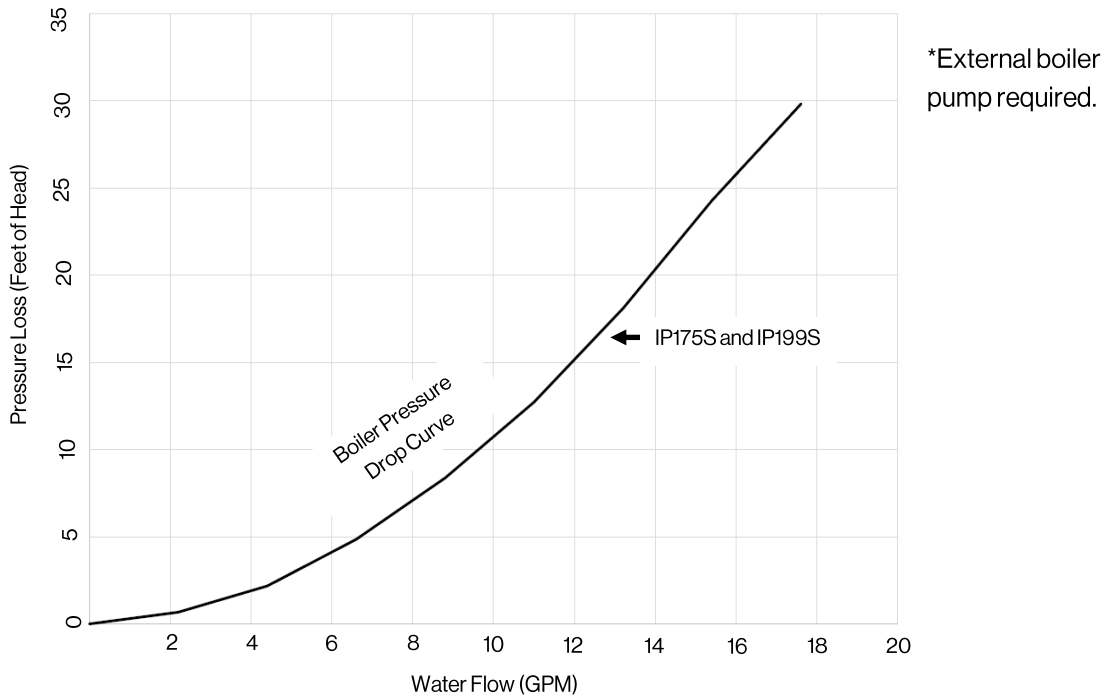


TECHNICAL SPECIFICATIONS

Model		IP175S	IP199S
Dimensions - w, h, d	Unit	18.5 in. x 26.4 in. x 11.45 in. (471 mm x 671 mm x 290 mm)	
	Shipping	23.6 in. x 45.3 in. x 19.7 in. (600 mm x 1,150 mm x 500 mm)	
Weight	Unit	112.4 lb (51 kg)	
	Shipping	127.6 (58 kg)	
Ignition System		Direct Electronic Ignition	
Heat Exchanger Surface Area		15.6 sq ft	
Gas Consumption (Btu/hr)	Minimum	15,000	
	Maximum	175,000	199,000
Heating Capacity (MBH)		160	181
Temperature Setting (CH)		(Min - Max) 86°F - 180°F (30°C - 82°C)	
Water Content		2.4 gal	
Water Supply Pressure	CH	Minimum: 13 PSI (90 kPa) Maximum: 55 PSI (379 kPa) Recommended: 17 - 26 PSI (117 - 180 kPa)	
	Pressure Relief Valve	30 PSI (207 kPa)	
Sound Level		40 dB(A)	42 dB(A)
Electrical Data	Normal (CH)	90W	98 W
	Standby	8 W	
	Max Current	14 Amps	
	Fuse	10 Amps x1, 4 Amps x5	
Turndown Ratio (TDR)		11.7:1	13.3:1
AFUE		95.0%	
Gas Supply Pressure ¹	Natural Gas	3.5 in. - 10.5 in. W.C. (0.87 - 2.61 kPa)	
	Propane	8.0 in. - 13.5 in. W.C. (1.99 - 3.36 kPa)	
Electric Connections		AC 120 Volts, 60 Hz	
Certifications		ANSI Z21.13, CSA 4.9, ASME	

¹Maximum gas supply pressure must not exceed the value specified by the manufacturer.

PRESSURE DROP CURVE AND WATER FLOW CURVE



FEATURES

Faster, Easier Installation

- Compact & lightweight design
- Convenient mounting bracket
- NPT threads for connection points
- More flexible venting options
- Simplified parameters for commissioning and setup

Clearances

- Top: 2 in. (51 mm)*
- Bottom: 12 in. (305 mm)
- Front: 6 in. (152 mm)**
- Back: 0 in.
- Sides: 2 in. (51 mm)
- Vent: 0 in.

* 0 in. from vent components.
6 in. (152 mm) for closet installations.

** Clearance for servicing is 24 in. (610 mm) in front of boiler.

Warranty

Residential:

- Heat Exchanger: 12 Years
- All Other Parts/Components: 5 Years
- Labor: 1 Year

Commercial:

- Heat Exchanger: 5 Years
- All Other Parts/Components: 5 Years
- Labor: 1 Year

Important

If the boiler is to be installed in a system that has multiple zones, a Closely Spaced Tee/Manifold Kit (PN: 807000213) is recommended to be installed.

CH = Central Heating
PRV = Pressure Relief Valve

©2024 Rinnai America Corporation. Rinnai America Corporation continually updates materials, and as such, content is subject to change without notice. Local, state, provincial, federal and national fuel gas codes must be adhered to prior to and upon installation.

800000252(01)

10/2024